



170 SERIES WEB

HIGH PRESSURE
PUSH PULL

TECHNICAL SPECIFICATIONS

Features: Designed for high pressure applications; rescue equipment, elevators...

Operating pressure: Up to 700 Bar

Available Size: 1/4"

Materials: Body: Carbon Steel EN -10277-3

O-rings: NBR (90 Shores)

Working Temperature (O-rings)

	NBR	Viton	EPDM
+	+100°C	+200°C	+150°C
-	-30°C	-10°C	-40°C

Back-up-ring: PTFE

Springs: EN 10270-1/SH

Balls: AISI 1010/1015

Sectors: Industrial

Available Threads: ISO 8431-1*

Closing System: Poppet Valve



Connection / Disconnection: Push Pull

Applications: Designed for Hydraulic Oil (Group II-2014/68/EU)

Connection Under Pressure: Not Allowed

Interchange: WEBER

*Others upon request.

MODEL STRUCTURE

Example:

170.11111 BE

Series	Material	Part	Closing	O-rings	Size (S)	Thread
170.	1 Carbon St.	1 Male 2 Female	1 Poppet	0 Without 1 NBR	1 6 1/4"	2 letters (see Table of Threads page 999-1)

170-1

INTEVA reserves the right to make modifications to its products without prior notice. Any external or internal alterations to our products will automatically void the warranty.



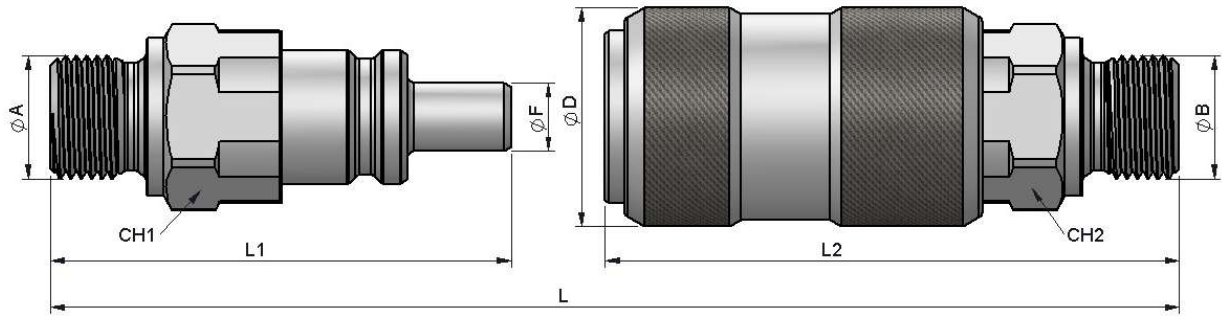


170 SERIES WEB

HIGH PRESSURE
PUSH PULL



(S) 6 - 1/4"



STANDARD MALE MODELS

(S)	ØA	REF.		CH1	L1	ØF	L
6	M18x1.5	170.11111KE	700	24	67	9.9	118

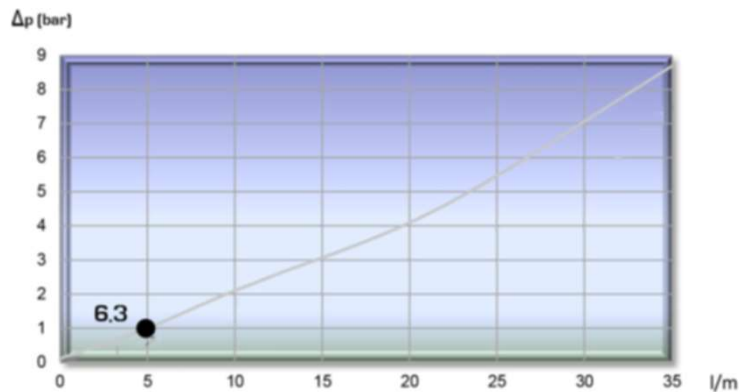
STANDARD FEMALE MODELS

(S)	ØB	REF.		CH2	L2	ØD	L
6	M18x1.5	170.12111KE	700	24	83	31.8	118

TECHNICAL DATA

(S)	Rated Flow	Min Burst Pressure (Bar)			Max. Working Pressure	Cycles
	l/m	Male	Female	Coupled	Bar	
6	5 l/m	2600	2300	2600	700 Bar	100.000

Test performed according to ISO 18869



170-2

INTEVA reserves the right to make modifications to its products without prior notice. Any external or internal alterations to our products will automatically void the warranty.





170 SERIES WEB CAPS



Designed to protect the female and male while disconnected.

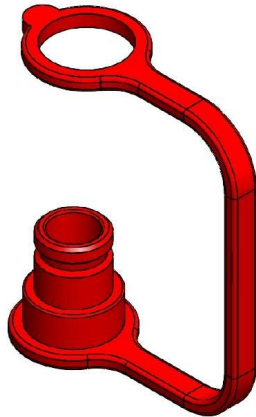
MODEL STRUCTURE / DIMENSIONS

Example:

170.5311 AA

Series	Material	Part	Color	Size (S)	Type
170.	5 Plastic	3 Cap Female 4 Cap Male	1 Red	1 6 : 1/4"	AA

(S) 6 – PLASTIC



CAP (FEMALE)

CAP (MALE)

(S)	RED	BLUE	YELLOW	GREEN	BLACK	WHITE
6	170.5311AA	*	*	*	*	*

(S)	RED	BLUE	YELLOW	GREEN	BLACK	WHITE
6	170.5411AA	*	*	*	*	*

* Others colors available on request